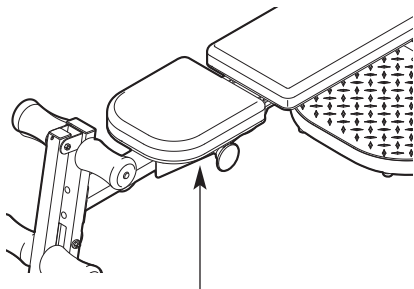


Model No. 831.15395.0

Serial No. _____

Write the serial number in the space above for future reference.



Serial Number Decal (under seat)



Visit our website at

www.weiderfitness.com

new products, prizes,
fitness tips, and much more!

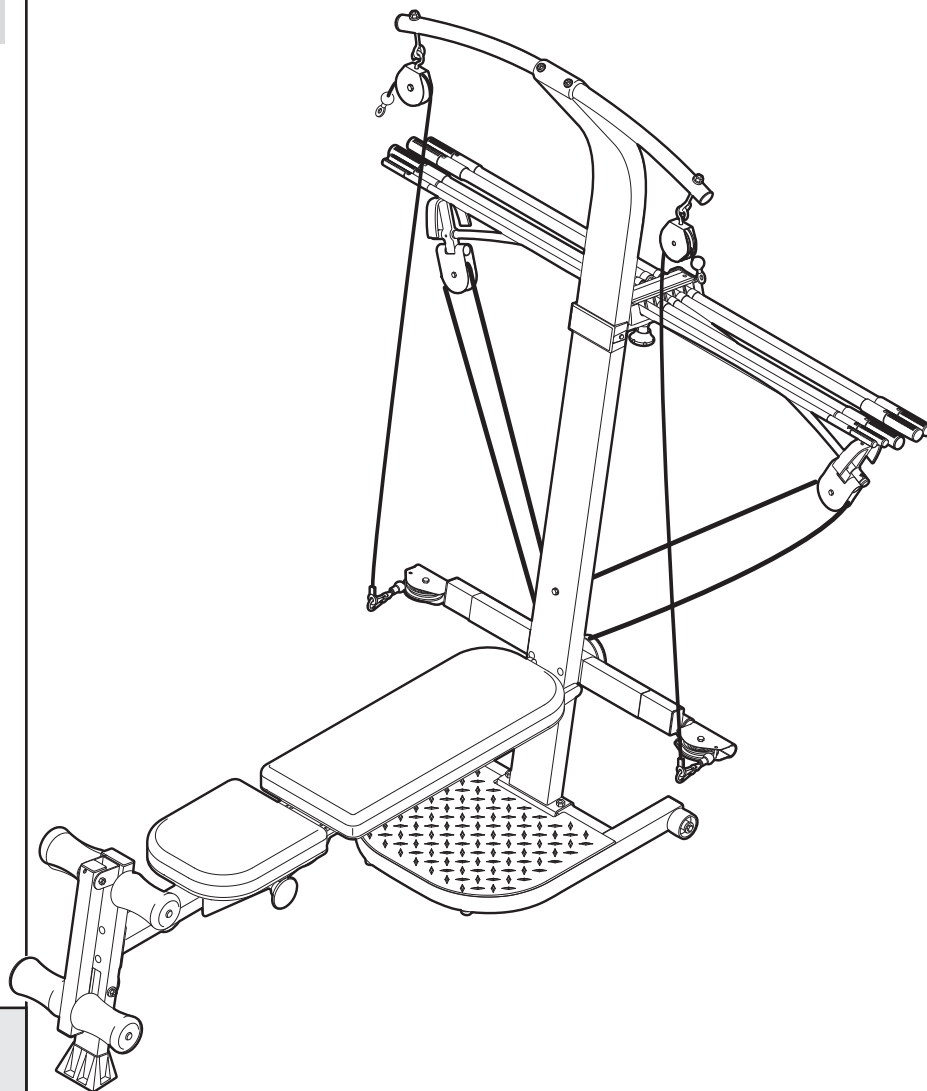
⚠ CAUTION

Read all precautions and instructions in this manual before using this equipment. Save this manual for future reference.

MAX

by **WEIDER**™

RESISTANCE SYSTEM EXERCISER User's Manual



Sears, Roebuck and Co., Hoffman Estates, IL 60179

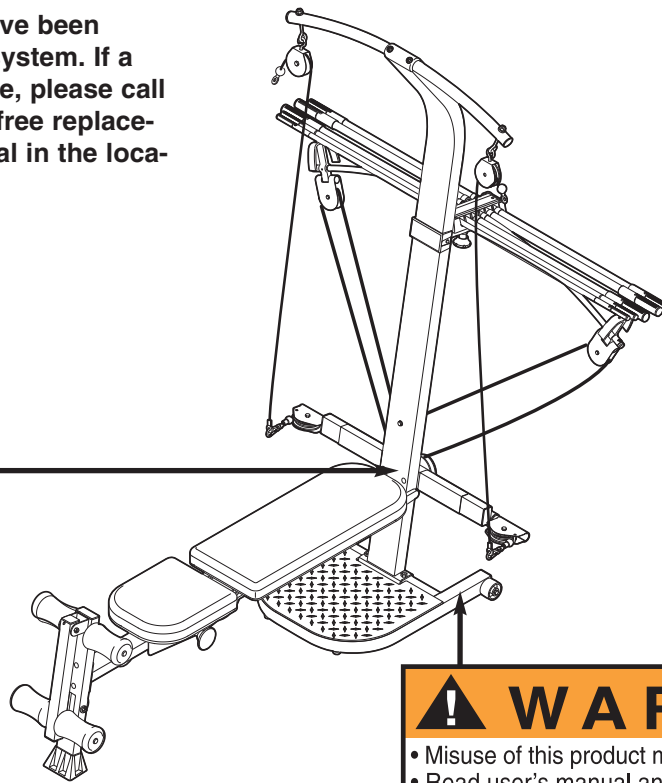
TABLE OF CONTENTS

WARNING DECAL PLACEMENT	2
IMPORTANT PRECAUTIONS	3
BEFORE YOU BEGIN	4
ASSEMBLY	5
ADJUSTMENTS	13
CABLE DIAGRAM	16
EXERCISE GUIDELINES	17
ORDERING REPLACEMENT PARTSBack Cover
WARRANTYBack Cover

Note: A PART IDENTIFICATION CHART and a PART LIST/EXPLODED DRAWING are attached in the center of this manual. Remove the PART IDENTIFICATION CHART and PART LIST/EXPLODED DRAWING before beginning assembly.

WARNING DECAL PLACEMENT

The decals shown here have been placed on the resistance system. If a decal is missing or illegible, please call 1-877-992-5999 to order a free replacement decal. Apply the decal in the location shown.



IMPORTANT PRECAUTIONS

⚠ WARNING: To reduce the risk of serious injury, read the following important precautions before using the resistance system.

1. Read all instructions in this manual before using the resistance system. Use the resistance system only as described in this manual.
2. It is the responsibility of the owner to ensure that all users of the resistance system are adequately informed of all precautions.
3. The resistance system is intended for home use only. Do not use the resistance system in any commercial, rental, or institutional setting.
4. Use the resistance system only on a level surface. Cover the floor beneath the resistance system to protect the floor.
5. Make sure that all parts are properly tightened each time the resistance system is used. Replace any worn parts immediately.
6. Keep children under 12 and pets away from the resistance system at all times.
7. Keep hands and feet away from moving parts.
8. Always wear athletic shoes for foot protection while exercising.
9. The top frame is not designed to be used for pull-up exercises. Do not hang on the top frame.
10. The resistance system is designed to support a maximum user weight of 300 pounds.
11. Pull on the low pulley cable only while sitting on the bench or standing on the base plate. Pull on the high pulley cables only while sitting on the bench, with the seat in one of the three positions closest to the upright base, or while standing on the base plate.
12. Make sure the rings on the resistance bars are pushed against the tray before using the resistance system.
13. When adding resistance, both ends of the resistance bars must rest under the two “U”-channels. Add and remove resistance bars from the “U”-channels one resistance bar at a time.
14. Keep clear of the area around the “U”-channels while the resistance system is in use. Do not add or remove resistance bars from the “U”-channels while the end of the long cable is pulled out.
15. Always adjust the resistance bar assembly to the horizontal position and make sure the fulcrum knob is secure before using the resistance system.
16. The resistance system is designed to be used with the included resistance, and the resistance included with a MAX by WEIDER MAX PACK. Do not use the resistance system with any other type of resistance.
17. If you purchase the optional lat bar, always disconnect it from the short cables when performing an exercise that does not require it.
18. Make sure the storage knob is in place and fully tightened each time the resistance system is used.
19. Make sure that the cables remain on the pulleys at all times. If the cables bind as you are exercising, stop immediately and make sure that the cables are on the pulleys. Replace all cables at least every two years.
20. Keep the resistance system indoors, away from moisture and dust. Do not put the resistance system in a garage or covered patio, or near water.
21. If you feel pain or dizziness while exercising, stop immediately and begin cooling down.

⚠ WARNING: Before beginning this or any exercise program, consult your physician. This is especially important for persons over the age of 35 or persons with pre-existing health problems. Read all instructions before using. Sears assumes no responsibility for personal injury or property damage sustained by or through the use of this product.

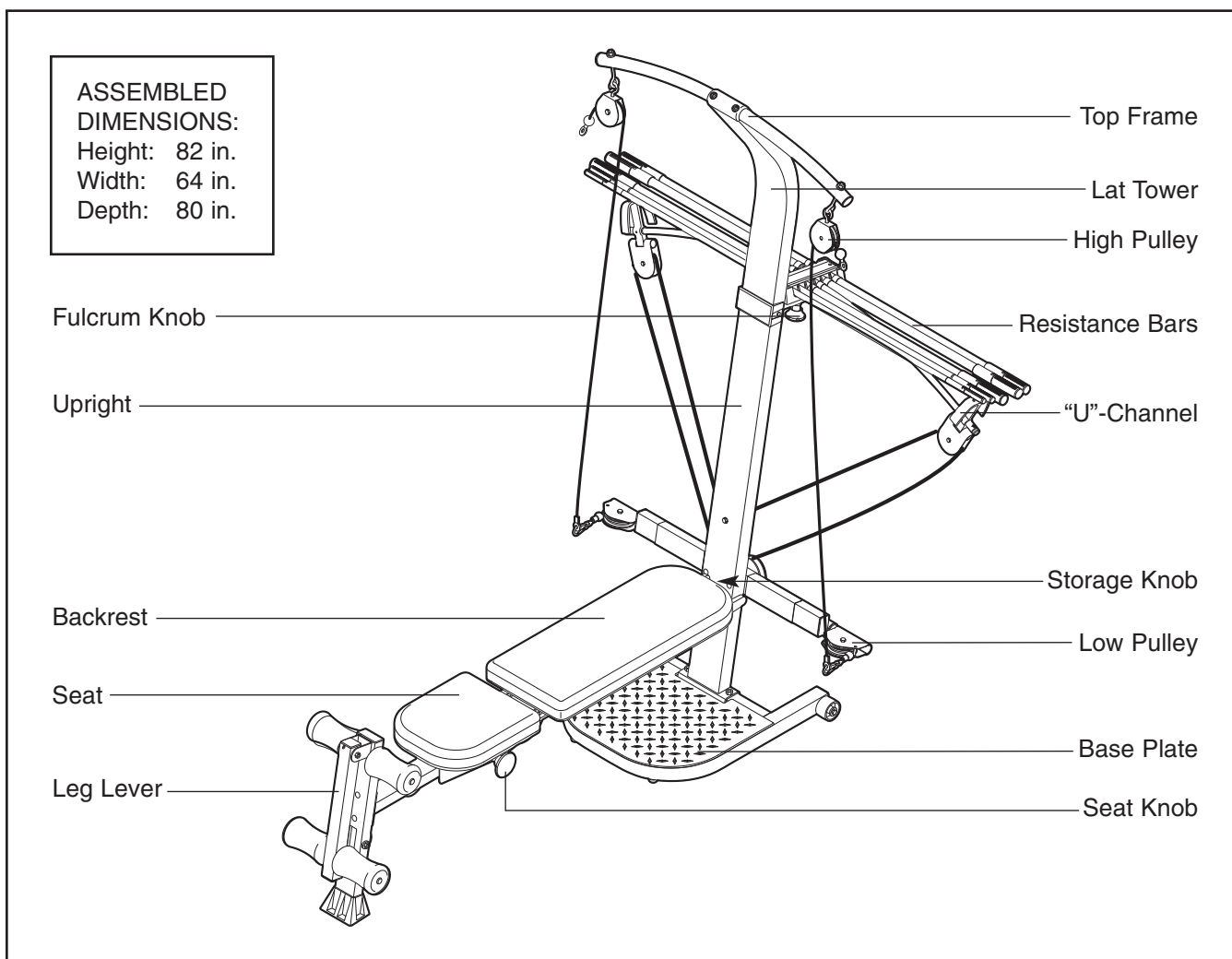
BEFORE YOU BEGIN

Thank you for selecting the innovative MAX by WEIDER™ resistance system. The resistance system offers a selection of stations designed to develop every major muscle group of the body. Whether your goal is to tone your body, build dramatic muscle size and strength, or improve your cardiovascular system, the resistance system will help you to achieve the specific results you want.

For your benefit, read this manual carefully before using the resistance system. If you have questions

after reading this manual, call 1-800-4-MY-HOME® (1-800-469-4663). To help us assist you, please note the product model number and serial number before calling. The model number is 831.15395.0. The serial number can be found on a decal attached to the resistance system (see the front cover of this manual for the location of the decal).

Before reading further, please review the drawing below and familiarize yourself with the parts that are labeled.



ASSEMBLY


Make Things Easier for Yourself





This manual is designed to ensure that the resistance system can be assembled successfully by most people. However, it is important to realize that the versatile resistance system has many parts and that the assembly process will take time. Most people find that by setting aside plenty of time, assembly will go smoothly.

Before beginning assembly, carefully read the following information and instructions:

- Assembly requires two persons.
- Place all parts in a cleared area and remove the packing materials. Do not dispose of the packing materials until assembly is completed.
- **For help identifying small parts, use the PART IDENTIFICATION CHART.** Note: Some small parts may have been pre-attached for shipping. If a part is not in the parts bag, check to see if it has been pre-attached.

- Tighten all parts as you assemble them, unless instructed to do otherwise.
- As you assemble the resistance system, make sure all parts are oriented as shown in the drawings.

The included  and the following tools (not included) are required for assembly:

- Two adjustable wrenches 
- One rubber mallet 
- One standard screwdriver 
- One Phillips screwdriver 
- Lubricant, such as grease or petroleum jelly, and soapy water.

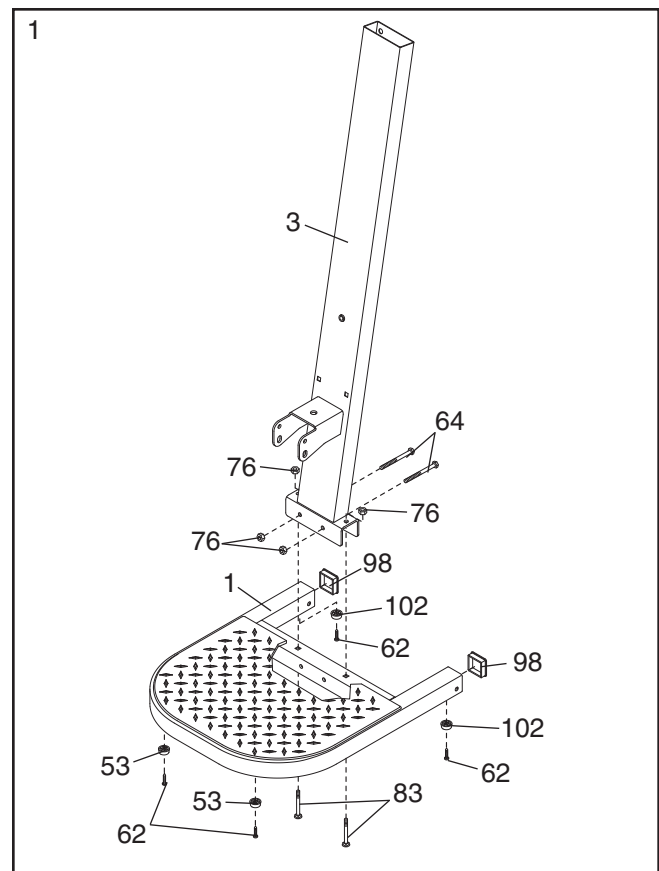
Assembly will be more convenient if you have a socket set, a set of open-end or closed-end wrenches, or a set of ratchet wrenches.

1. **Before beginning assembly, make sure that you have read and understand the information in the box above.**

Press two 2" Square Inner Caps (98) into the Base (1).

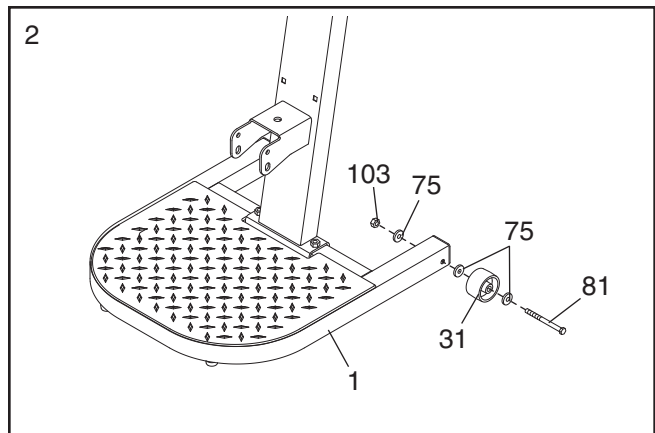
Attach two Plastic Feet (53) and two Large Plastic Feet (102) to the Base (1) with four #8 x 3/4" Tek Screws (62).

Attach the Upright (3) to the Base (1) with two 3/8" x 2 3/4" Carriage Bolts (83), two 3/8" x 2 3/4" Button Head Bolts (64), and four 3/8" Nylon Locknuts (76) as shown. **Note: This step will be easier to complete if the Upright and Base are tipped on their sides.**



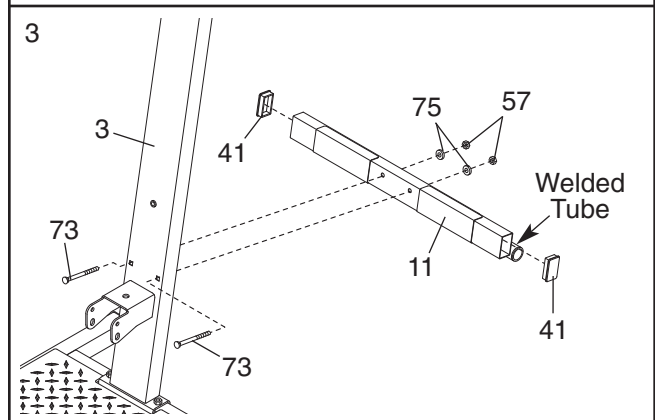
- Attach a Wheel (31) to the outside of the Base (1) with a 3/8" x 4 1/4" Bolt (81), three 3/8" Washers (75), and a 3/8" Nylon Jamnut (103). **Do not overtighten the Jamnut; the Wheel must be able to turn easily.**

Attach the other Wheel (not shown) in the same manner.



- Press a 1 1/2" x 2 1/2" Inner Cap (41) into each end of the Cross Tube (11).

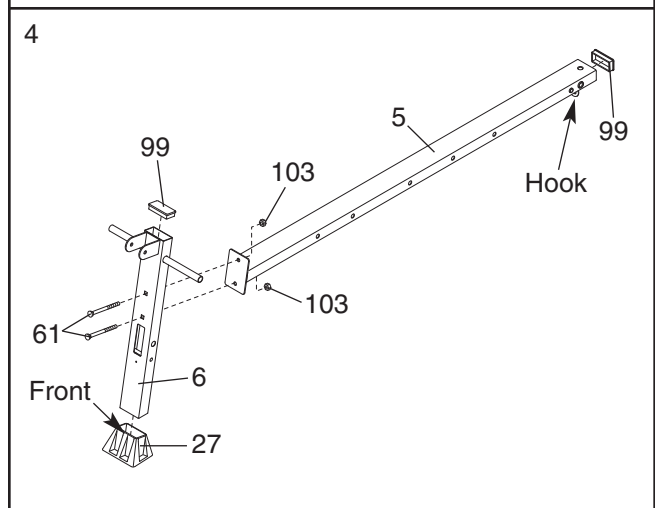
Orient the Cross Tube (11) as shown, with the welded tubes at the bottom. Attach the Cross Tube to the Upright (3) with two 3/8" x 5 1/2" Carriage Bolts (73), two 3/8" Washers (75), and two 3/8" Jamnuts (57).



- Press a 1 1/2" x 3" Inner Cap (99) into the top of the Front Leg (6). Press the Front Leg Foot (27) onto the bottom of the Front Leg. **Note that the front of the Front Leg Foot is taller than the back.**

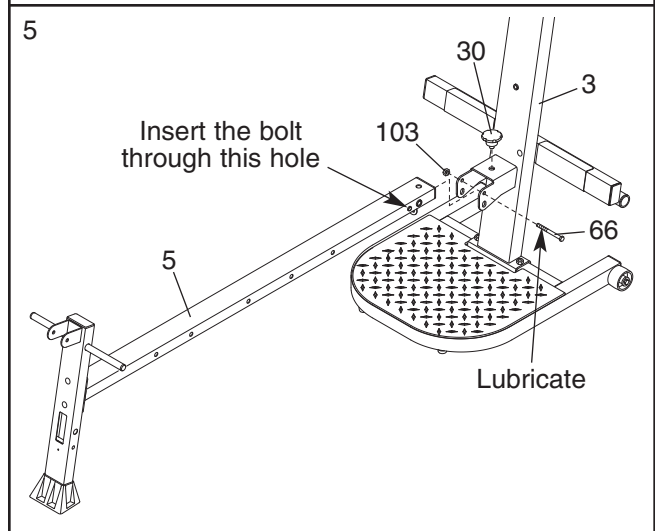
Press a 1 1/2" x 3" Inner Cap (99) into the end of the Bench Rail (5).

Attach the Bench Rail (5), with the hook on the bottom, to the Front Leg (6) with two 3/8" x 2" Carriage Bolts (61) and two 3/8" Nylon Jamnuts (103).



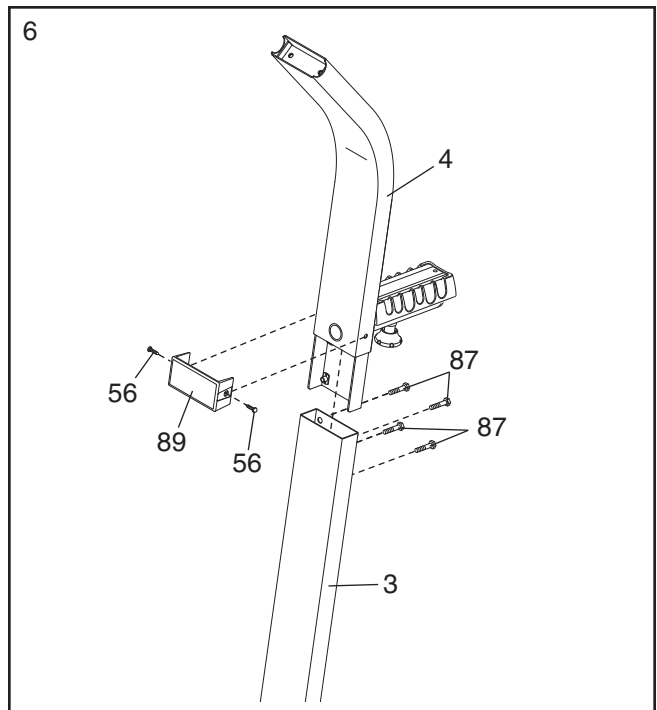
- Lubricate a 3/8" x 4" Bolt (66) with grease. Attach the Bench Rail (5) to the Upright (3) with the Bolt and a 3/8" Nylon Jamnut (103). **Do not overtighten the Jamnut; the Bench Rail must be able to pivot easily.**

Tighten the Storage Knob (30) into the Upright (3) and the Bench Rail (5).



- Have a second person hold the Lat Tower (4) so that the holes in the back line up with the holes in the Upright (3). Attach the Lat Tower to the Upright with four 3/8" x 1" Button Head Bolts (87).

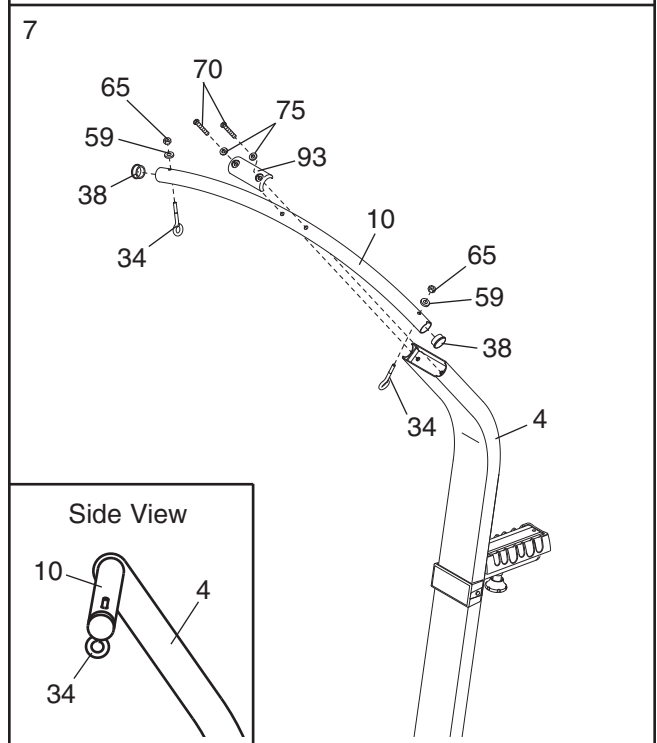
Attach the Name Plate (89) to the Lat Tower (4) with two #8 x 1/2" Tek Screws (56).



- Press a 1 1/2" Round Inner Cap (38) into each end of the Top Frame (10).

Attach two Eyebolts (34) to the Top Frame (10) with two 5/16" Washers (59) and two 5/16" Nylon Jamnuts (65). **Do not overtighten the Jamnuts; the Eyebolts must be able to rotate freely.**

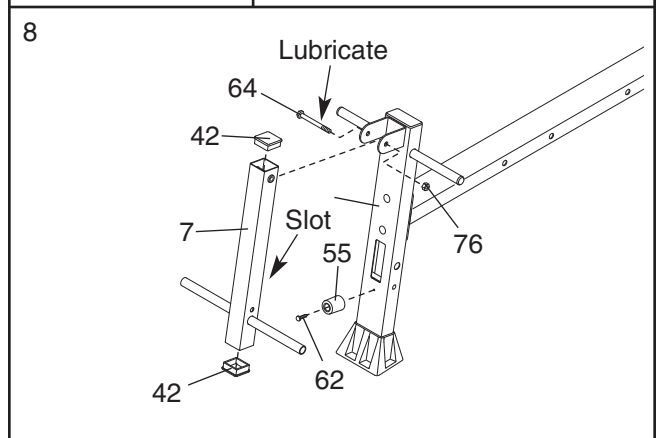
Attach the Top Frame (10) to the Lat Tower (4) with two 3/8" x 3" Button Head Bolts (70), two 3/8" Washers (75), and the Top Frame Cover (93). **Make sure that the Eyebolts (34) are oriented as shown in the inset drawing. If they are not, turn the Top Frame around and reattach it.**



- Attach the Leg Lever Bumper (55) to the Front Leg (6) with a #8 x 3/4" Tek Screw (62).

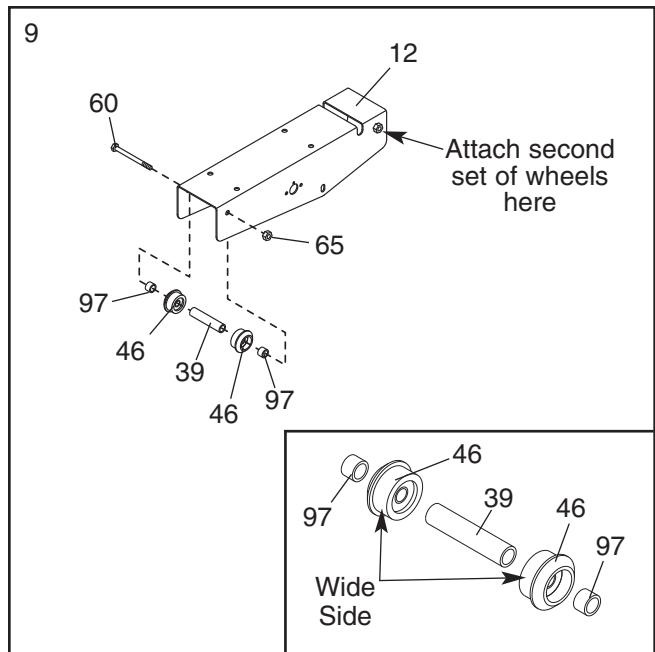
Press two 1 3/4" Square Inner Caps (42) into the Leg Lever (7).

Lubricate a 3/8" x 2 3/4" Button Head Bolt (64) with grease. Orient the Leg Lever (7) with the slot on the side shown. Attach the Leg Lever to the Front Leg (6) with the Bolt and a 3/8" Nylon Locknut (76). **Do not overtighten the Locknut; the Leg Lever must be able to pivot easily.**



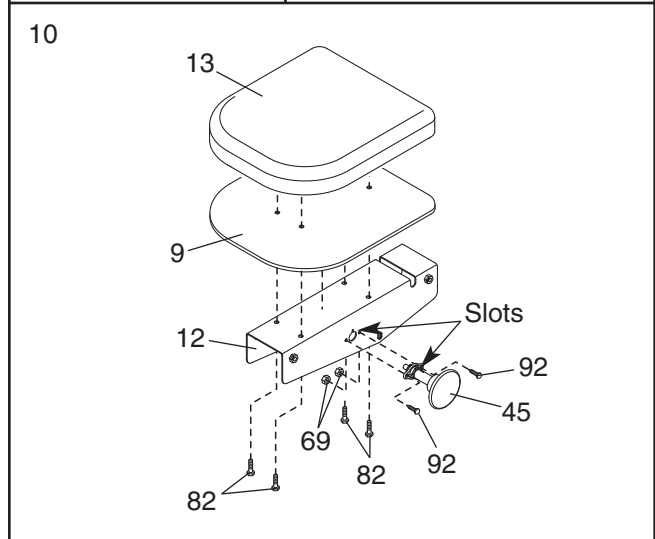
9. Attach two .34" Metal Spacers (97), a 2.3" Metal Spacer (39), and two Bearing Wheels (46) to one end of the Seat Carriage (12) with a 5/16" x 4" Bolt (60) and a 5/16" Nylon Jamnut (65) as shown. **Make sure the parts are oriented as shown in the inset drawing; the Seat Knob (not shown) will not engage the Bench Rail (not shown) if they are incorrectly oriented. Do not overtighten the Jamnut; the Bearing Wheels must be able to roll easily.**

Attach two Bearing Wheels (not shown) to the other end of the Seat Carriage (12) in the same manner.



10. Attach the Seat Knob (45) to the Seat Carriage (12) with two #8-32 x 1/2" Machine Screws (92) and two #8-32 Nylon Locknuts (69). **Make sure that the slot in the Knob is aligned with the slot in the Seat Carriage, as shown.**

Orient the Seat (13), the Seat Backing (9), and the Seat Carriage (12) as shown. Attach the Seat and the Seat Backing to the Seat Carriage with four 1/4" x 3/4" Bolts (82).

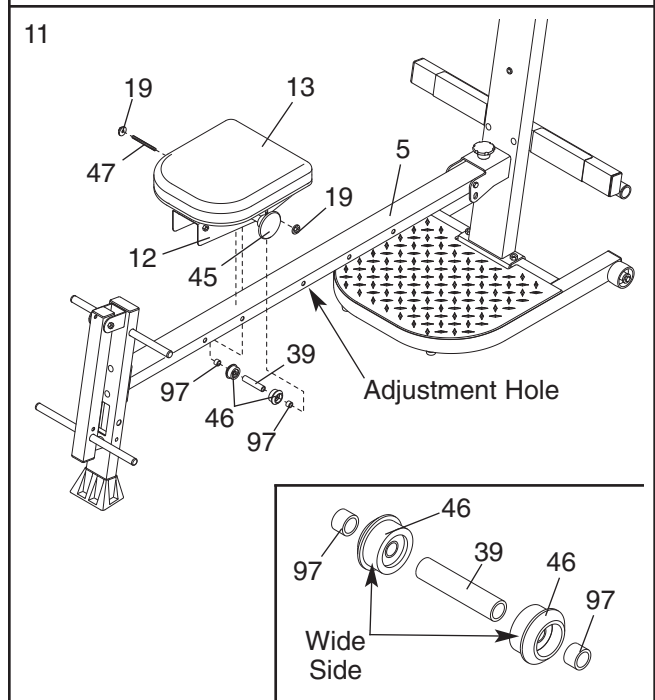


11. Pull out the Seat Knob (45) as far as it will go, and set the Seat Carriage (12) on the Bench Rail (5).

Loosely attach two .34" Metal Spacers (97), a 2.3" Metal Spacer (39), and two Bearing Wheels (46) to the center holes in the Seat Carriage (12) with two 5/16" Hex Serrated Flange Nuts (19) and the 5/16" x 4.69" All-thread Bolt (47). **Make sure the parts are oriented as shown in the inset drawing. Make sure that the serrated edge of the Flange Nuts are against the Seat Carriage and that three threads are extending past the Nut.**

While a second person presses down on the Seat (13), hold wheel assembly firmly against the bottom of the Bench Rail (5) and properly tighten the 5/16" Hex Serrated Flange Nuts (19). **Make sure that the wide sides of all six Wheels (46) are pressed against the Bench Rail. Do not overtighten the Nuts; the Bearing Wheels must be able to roll easily.**

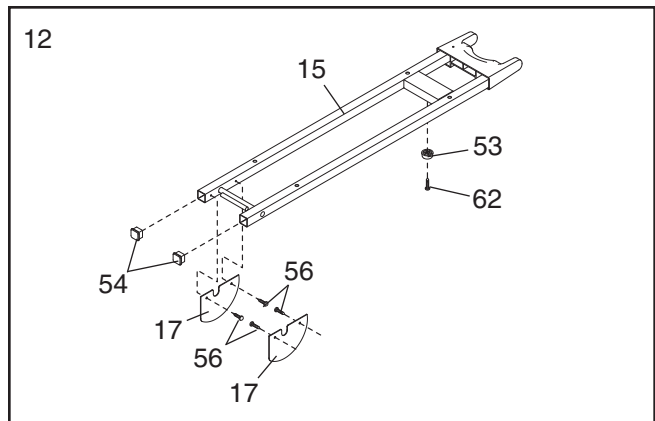
Engage the Seat Knob (45) into an adjustment hole in the Bench Rail (5).



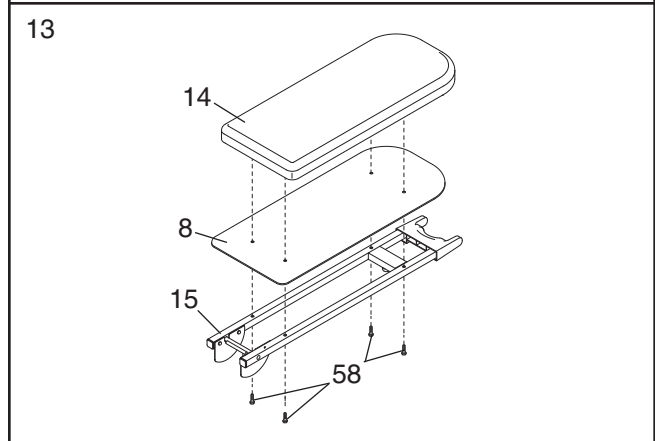
12. Press two 1" Square Inner Caps (54) into the indicated end of the Backrest Frame (15).

Attach a Plastic Foot (53) to the Backrest Frame (15) with a #8 x 3/4" Tek Screw (62).

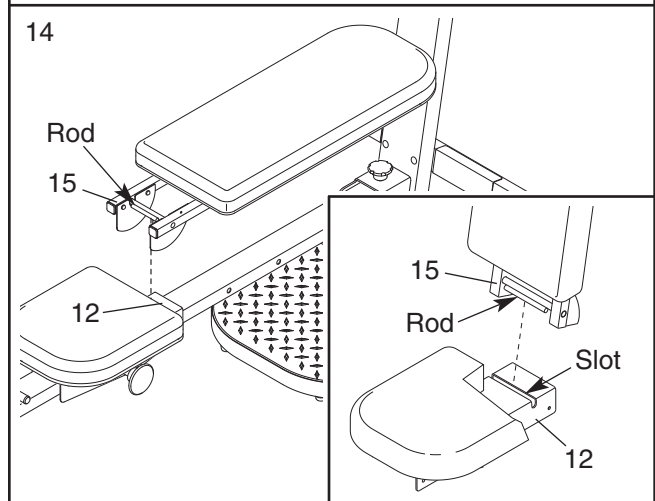
Attach the two Guard Plates (17) to the inside of the Backrest Frame (15) with four #8 x 1/2" Tek Screws (56).



13. Orient the Backrest (14) and the Backrest Backing (8) as shown. Attach the Backrest and the Backrest Backing to the Backrest Frame (15) with four 1/4" x 1 3/4" Bolts (58).

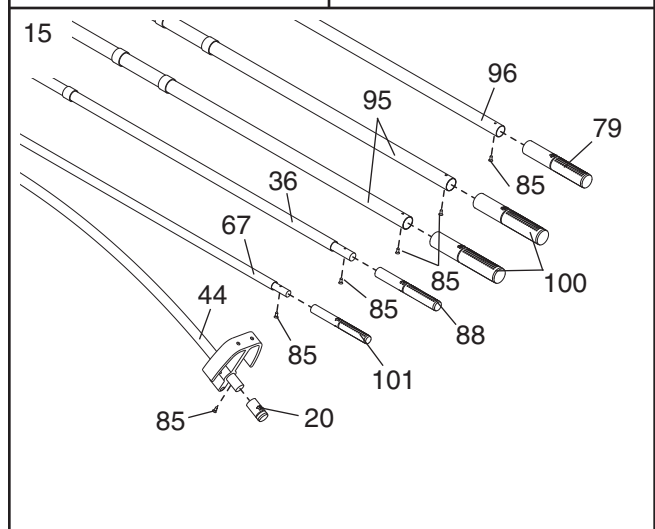


14. Insert the rod on the Backrest Frame (15) into the slot in the Seat Carriage (12). **Hold the Backrest Frame vertically over the Seat Carriage and slide the rod into the slot, as shown in the inset drawing.**



15. Attach the two 10-Pound Short Caps (20) to the 10-Pound Center Resistance Bar (44) with two #8 x 1/2" Flat Head Screws (85).

Using ten #8 x 1/2" Flat Head Screws (85), attach the two 10-Pound Caps (101) to the 10-Pound Removable Resistance Bar (67), the two 20-Pound Caps (88) to the 20-Pound Removable Resistance Bar (36), the four 80-Pound Caps (100) to the two 80-Pound Resistance Bars (95), and the two 40-Pound Caps (79) to the 40-Pound Resistance Bar (96).



16. Locate the Tray (35) on the Lat Tower (4) (see the inset drawing). Remove the two preassembled 5/16" x 3/4" Button Head Screws (86) and the Cover Plate (72) from the Tray.

Set the Resistance Bars into the Tray (35) in the following order: the 10-Pound Removable Resistance Bar (67), the 20-Pound Removable Resistance Bar (36), an 80-Pound Resistance Bar (95), the 10-Pound Center Resistance Bar (44), an 80-Pound Resistance Bar (95), and the 40-Pound Resistance Bar (96). **Make sure the indicated rings are on the side shown and the arrows point toward the Tray.**

Reattach the Cover Plate (72), with the edges up, to the Tray (35) with two 5/16" x 3/4" Button Head Screws (86).

17. **Locate the Long Cable (80).** Insert one end of the Cable through the welded tube on the indicated end of the Cross Tube (11) and then through a Swivel Arm (22). If necessary, use the tip of a screwdriver to pull the end of the Cable out of the Swivel Arm. **Be sure the Cable is on the indicated side of the welded rod in the Swivel Arm.**

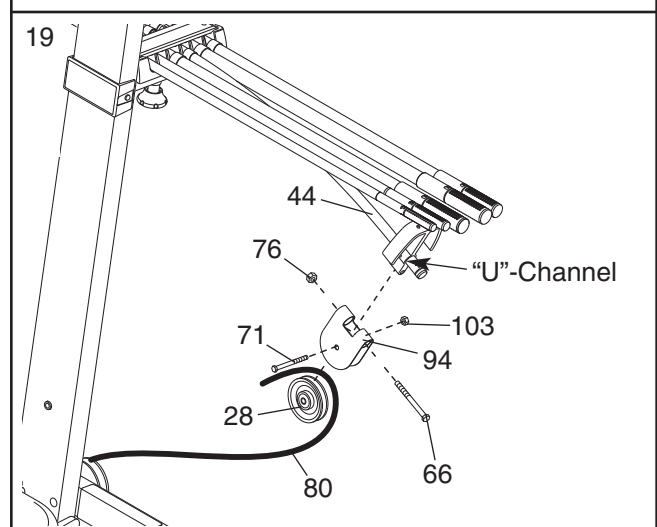
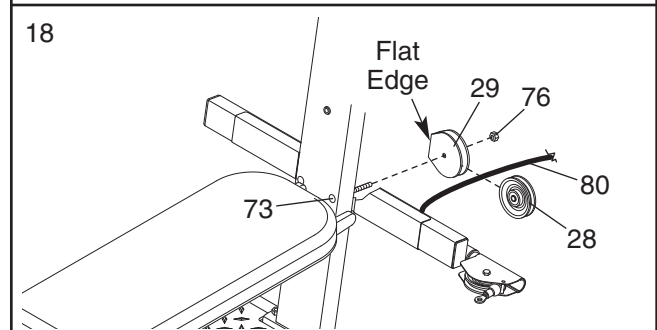
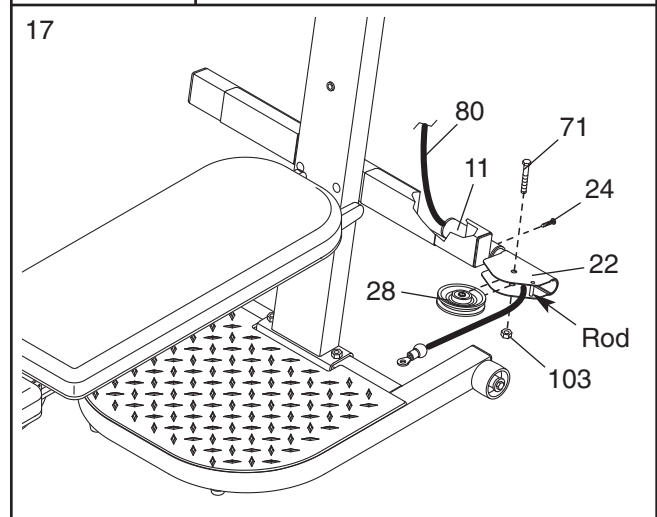
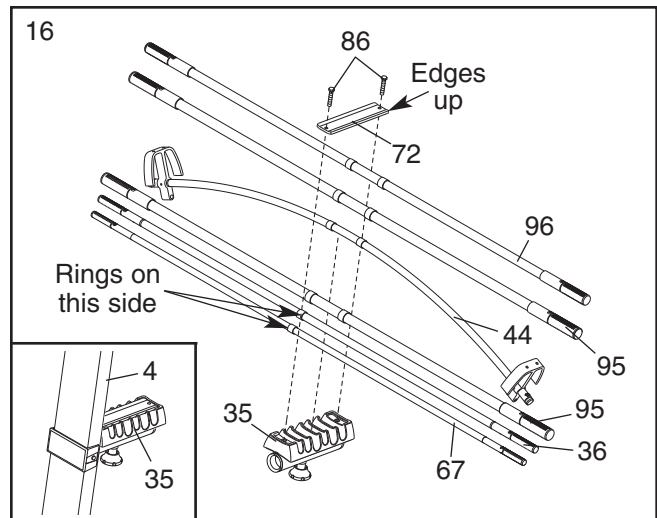
Insert the Swivel Arm (22) into the welded tube on the Cross Tube (11). Secure the Swivel Arm with a #8 x 3/8" Screw (24).

Wrap the Long Cable (80) around a 90mm Pulley (28). Attach the Pulley inside of the Swivel Arm (22) with a 3/8" x 1 1/2" Button Head Bolt (71) and a 3/8" Nylon Jamnut (103).

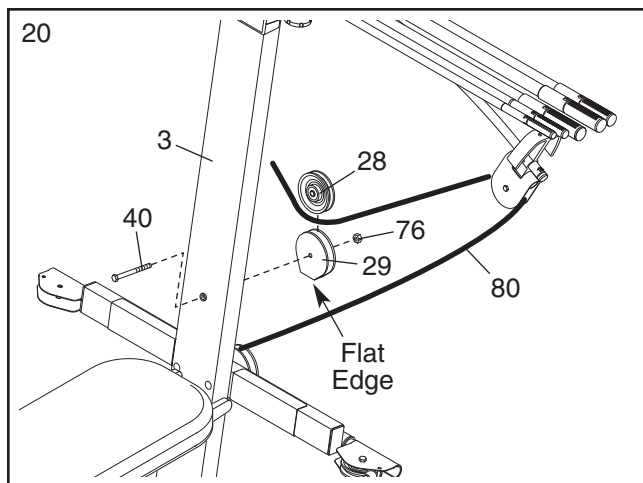
18. Wrap the Long Cable (80) around a 90mm Pulley (28). Attach the Pulley and a Pulley Guard (29) to the indicated 3/8" x 5 1/2" Carriage Bolt (73) with a 3/8" Nylon Locknut (76). **Be sure the flat edge of the Pulley Guard is on the side shown.**

19. Attach a Pulley Housing (94) to the indicated "U"-channel on the 10-Pound Center Resistance Bar (44) with a 3/8" x 4" Bolt (66) and a 3/8" Nylon Locknut (76).

Wrap the Long Cable (80) around a 90mm Pulley (28). Attach the Pulley inside of the Pulley Housing (94) with a 3/8" x 1 1/2" Button Head Bolt (71) and a 3/8" Nylon Jamnut (103).

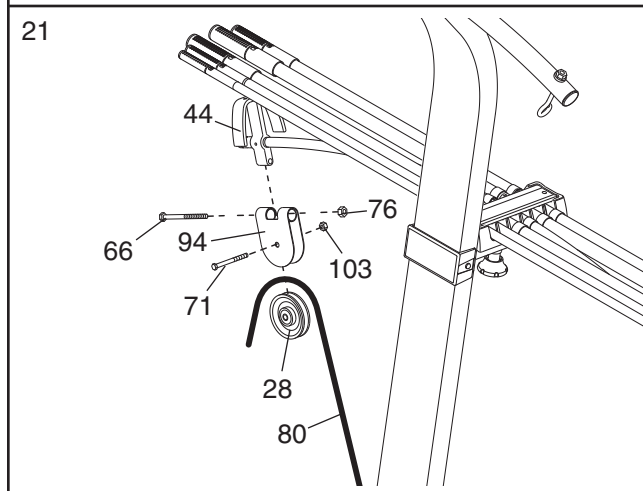


20. Wrap the Long Cable (80) under a 90mm Pulley (28) as shown. Attach the Pulley and a Pulley Guard (29) to the Upright (3) with a 3/8" x 4 1/2" Button Head Bolt (40) and a 3/8" Nylon Locknut (76). **Make sure the flat edge of the Pulley Guard is on the bottom.**

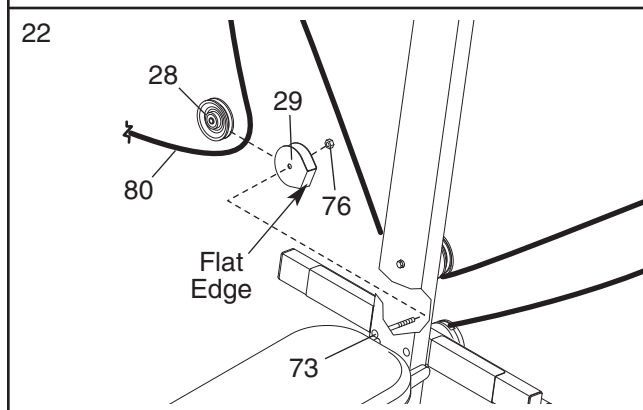


21. Attach a Pulley Housing (94) to the indicated "U"-channel on the 10-Pound Center Resistance Bar (44) with a 3/8" x 4" Bolt (66) and a 3/8" Nylon Locknut (76).

Wrap the Long Cable (80) around a 90mm Pulley (28). Attach the Pulley inside of the Pulley Housing (94) with a 3/8" x 1 1/2" Button Head Bolt (71) and a 3/8" Nylon Jamnut (103).



22. Wrap the Long Cable (80) around a 90mm Pulley (28). Attach the Pulley and a Pulley Guard (29) to the indicated 3/8" x 5 1/2" Carriage Bolt (73) with a 3/8" Nylon Locknut (76). **Make sure the flat edge of the Pulley Guard is on the side shown.**

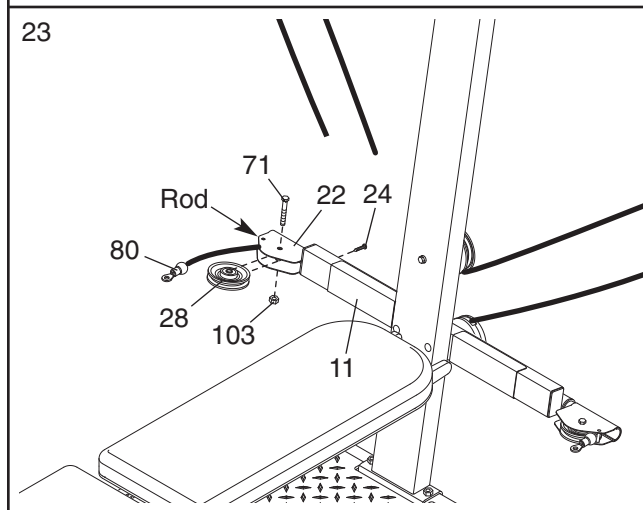


23. Make sure there are no Resistance Bars (not shown) under the "U"-channels on the 10-Pound Center Resistance Bar (not shown). Have a second person pull on the Long Cable (80) to create slack in the Cable.

Insert the end of the Long Cable (80) through the welded tube on the indicated end of the Cross Tube (11) and then through the remaining Swivel Arm (22). **Be sure the Cable is on the indicated side of the welded rod in the Swivel Arm.**

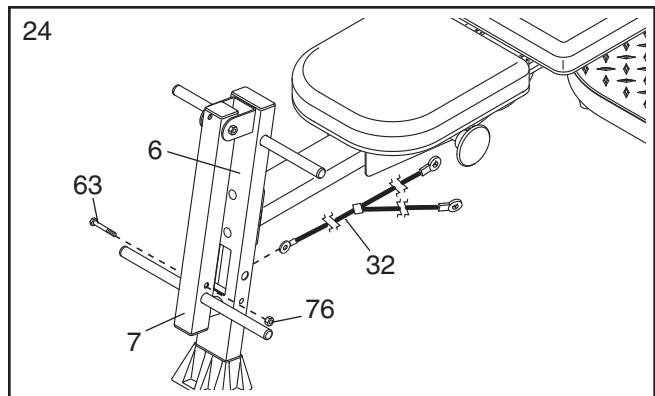
Insert the Swivel Arm (22) into the welded tube on the Cross Tube (11). Secure the Swivel Arm with a #8 x 3/8" Screw (24).

Wrap the Long Cable (80) around a 90mm Pulley (28). Attach the Pulley inside of the Swivel Arm (22) with a 3/8" x 1 1/2" Button Head Bolt (71) and a 3/8" Nylon Jamnut (103).



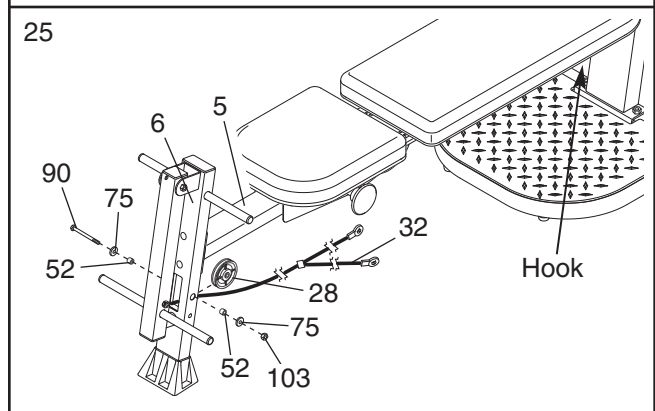
24. **Locate the Leg Lever Cable (32)**, which has two ends that are the same length and a third end that is longer.

Route the longest end of the Leg Lever Cable (32) through the hole in the Front Leg (6), and attach it inside of the hole in the Leg Lever (7) with a 3/8" x 2 1/4" Button Head Bolt (63) and a 3/8" Nylon Locknut (76).



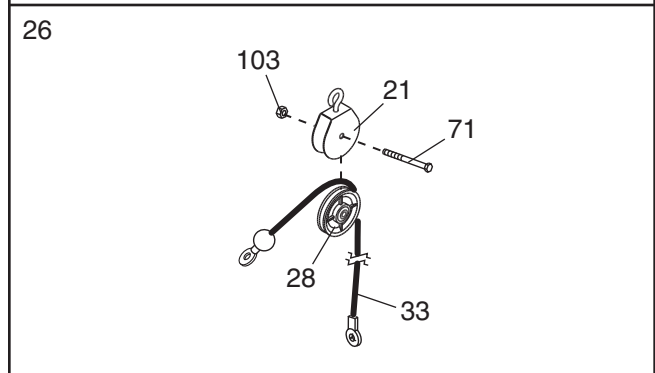
25. Attach a 90mm Pulley (28) inside of the hole in the Front Leg (6) with a 3/8" x 3 3/4" Bolt (90), two 3/8" x 1" Spacers (52), two 3/8" Washers (75), and a 3/8" Nylon Jamnut (103). **Make sure the Pulley is above the Leg Lever Cable (32).**

Slide the two free ends of the Leg Lever Cable (32) onto the hook welded to the bottom of the Bench Rail (5).

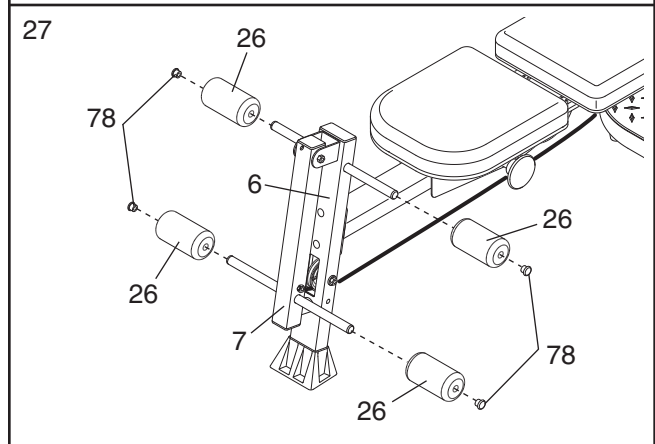


26. **Locate the two Short Cables (33).** Wrap one of the Cables around a 90mm Pulley (28). Attach the Pulley to a High Pulley Housing (21) with a 3/8" x 1 1/2" Button Head Bolt (71) and a 3/8" Nylon Jamnut (103).

Repeat this step with the other Short Cable (33).



27. Slide the four Foam Pads (26) onto the tubes on the Front Leg (6) and the Leg Lever (7). Press four 1 1/4" Round Inner Caps (78) into the ends of the tubes.



28. Make sure that all parts have been properly tightened. The use of the remaining parts will be explained in ADJUSTMENTS, beginning on the following page.

Before using the resistance system, pull the long cable a few times to be sure that it moves smoothly over the pulleys. If the cable does not move smoothly, find and correct the problem. **IMPORTANT: If the cables are not properly installed, they may be damaged when heavy resistance is used. See the CABLE DIAGRAM on page 16 for proper cable routing.**

ADJUSTMENTS

This section explains how to adjust the resistance system. See the EXERCISE GUIDELINES on page 17 for important information about how to get the most benefit from your exercise program. Also, refer to the accompanying exercise guide to see the correct form for each exercise.

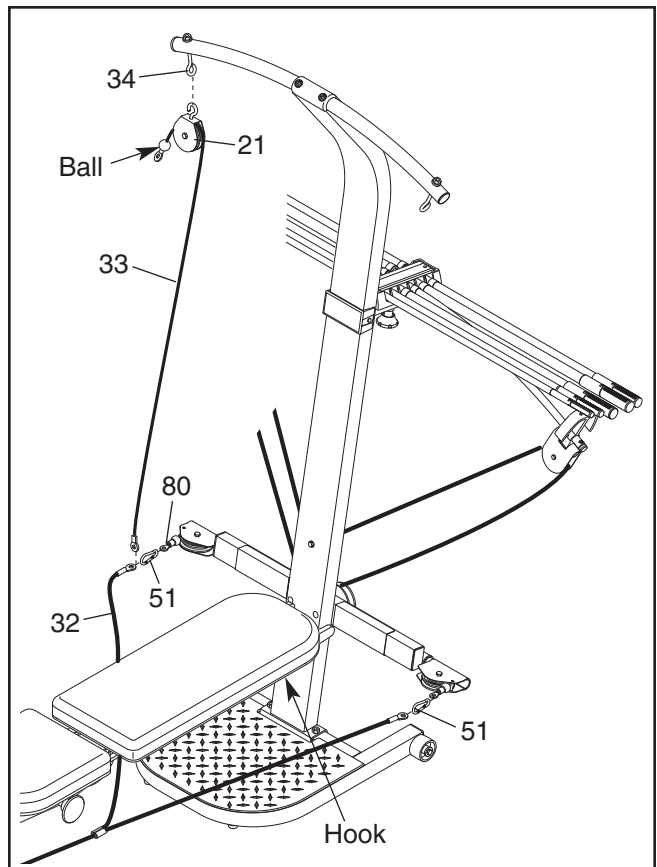
Make sure all parts are properly tightened each time the resistance system is used. Replace worn parts immediately. The resistance system can be cleaned with a damp cloth and a mild, non-abrasive detergent. Do not use solvents. The resistance bars can be cleaned with a vinyl and rubber protectant, available at an automotive or department store.

ATTACHING THE HIGH PULLEYS AND LEG LEVER

To use a high pulley, slide the hook on the High Pulley Housing (21) into the Eyebolt (34). Attach the end of the Short Cable (33) without the ball to the end of the Long Cable (80) with a Cable Clip (51). **Attach the other high pulley in the same manner.**

To use the Leg Lever (not shown), attach the two ends of the Leg Lever Cable (32) to the ends of the Long Cable (80) with two Cable Clips (51).

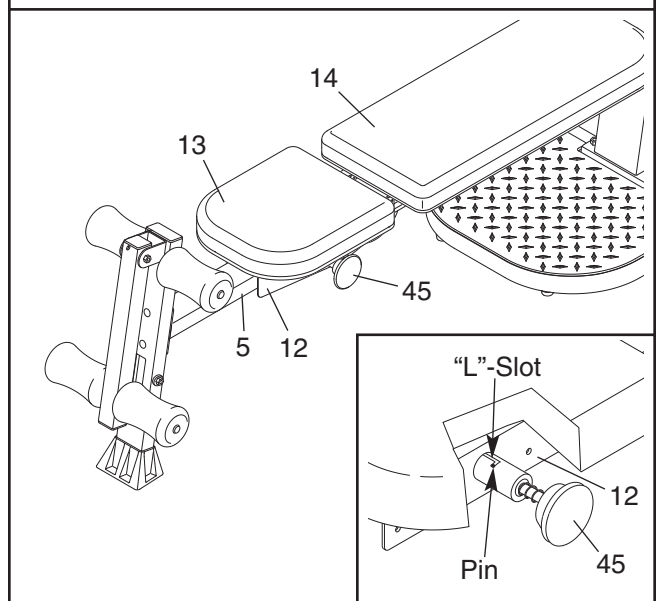
Remove the high pulleys, and detach the Leg Lever Cable (32), when not in use. Store the ends of the Leg Lever Cable on the hook under the Bench Rail (not shown).



ADJUSTING THE SEAT

The Seat (13) can be secured in any of four positions on the Bench Rail (5). To move the Seat, pull the Seat Knob (45) out as far as it will go, and slide the Seat to the desired position. Engage the Seat Knob into an adjustment hole in the Bench Rail. **Note: It may be necessary to lift up on the Seat in order to engage the Seat Knob.**

To perform row exercises, the leg press strap must be attached to the long cable (see ATTACHING THE ACCESSORIES, on page 14), and the Seat Carriage (12) must be able to roll along the Bench Rail (5). First, remove the Backrest (14) from the Seat Carriage (see ADJUSTING THE BACKREST on page 15). Then, pull the Seat Knob (45) out as far as it will go, and turn the Knob so that the pin rests at the end of the "L"-shaped slot (see the inset drawing).



ATTACHING THE ACCESSORIES

To attach a Short Handle (49) to a high pulley, first attach the high pulley to the resistance system (see ATTACHING THE HIGH PULLEYS AND LEG LEVER on page 13). Then, attach the Short Handle to the Short Cable (33) with a Cable Clip (51).

The Long Handles (not shown) and the Ankle Strap (not shown) can be attached to the Long Cable (80) with Cable Clips (51). Attach the Leg Press Strap (not shown) to both ends of the Long Cable, or the optional lat bar to the Short Cables (33), with two Cable Clips.

Note: A lat bar is an optional accessory for the resistance system. To purchase a lat bar, call 1-877-992-5999 and ask for model number **WEMC0442**.

ADJUSTING THE RESISTANCE

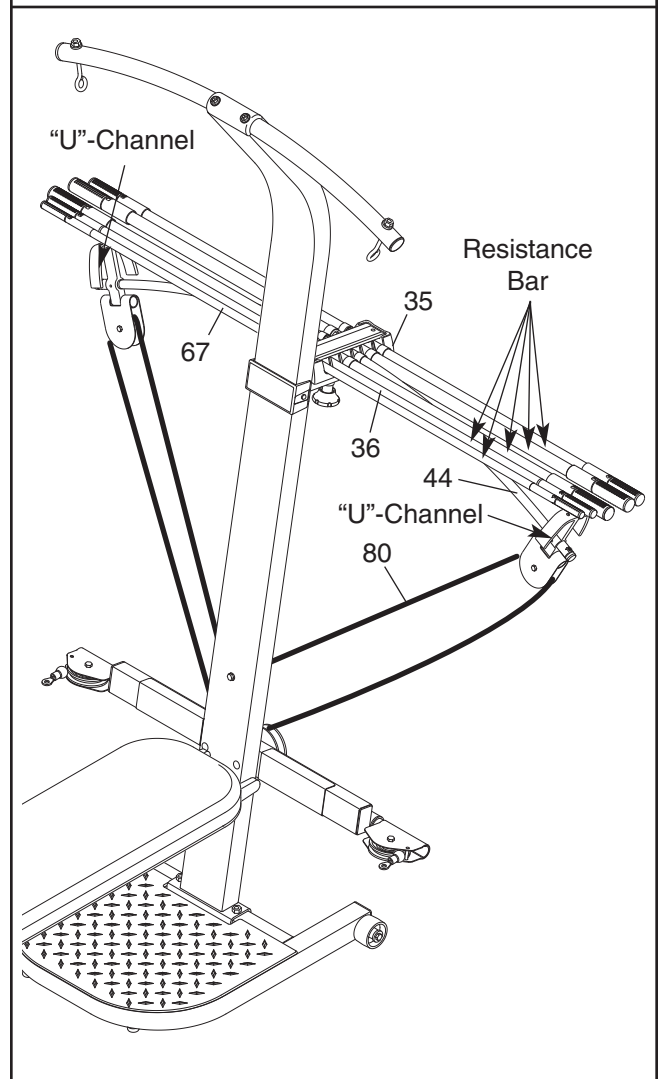
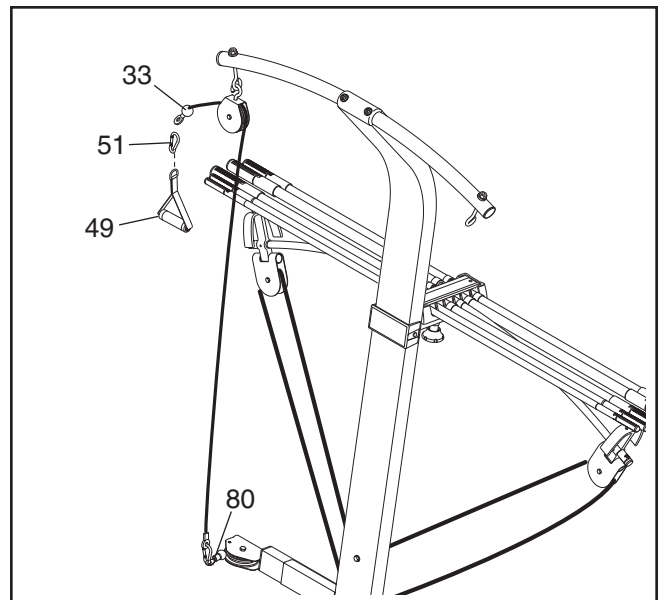
To add resistance, hold a “U”-channel on the 10-Pound Center Resistance Bar (44) firmly and push the end of a resistance bar under it. Repeat with the other side. If more resistance is needed, add one resistance bar at a time.

Note: When adding resistance, always start with the heaviest resistance bar to be used, and finish with the lightest resistance bar. When removing resistance bars from the “U”-channels, start with the lightest resistance bar and finish with the heaviest.

⚠ WARNING: When adding resistance, make sure that both ends of the resistance bar rest under the two “U”-channels. The rings on the Removable Resistance Bars (36, 67) must be pushed against the Tray (35). Do not add or remove resistance bars from the “U”-channels while the end of the Long Cable (80) is pulled out.

Note: The resistance system uses progressive resistance. As the resistance bars begin to bend, the amount of resistance will increase gradually. As the resistance bars bend further, the resistance will increase rapidly.

Additional resistance can be added to the resistance system. To purchase more resistance, call 1-877-992-5999 and asking for model number **WEMC0642** (100-Pound MAX PACK) or **WEMC0942** (200-Pound MAX PACK).

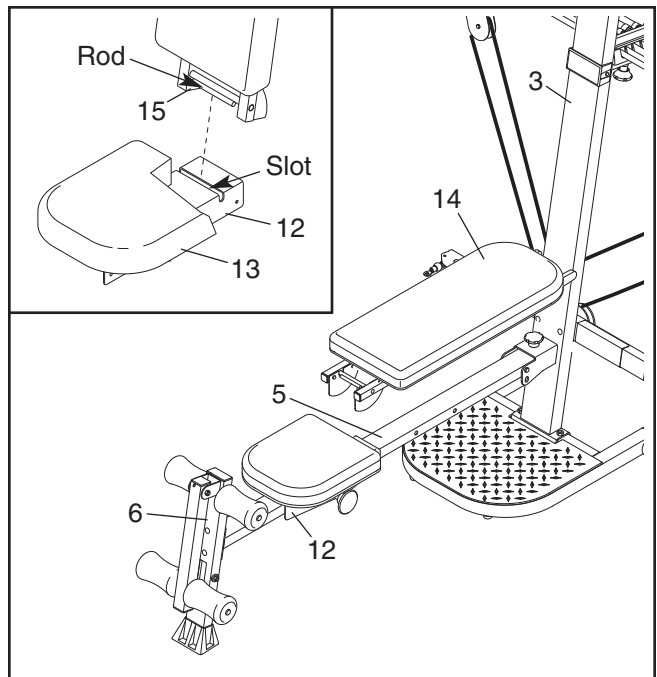


ADJUSTING THE BACKREST

The Backrest (14) can be used in a level position or any of three inclined positions. To use the Backrest in a level position, secure the Seat Carriage (12) to the adjustment hole in the Bench Rail (5) next to the Front Leg (6) (see ADJUSTING THE SEAT on page 13).

To use the Backrest (14) in an inclined position, secure the Seat Frame (12) to one of the other three adjustment holes in the Bench Rail (5). Rest the Backrest against the Upright (3).

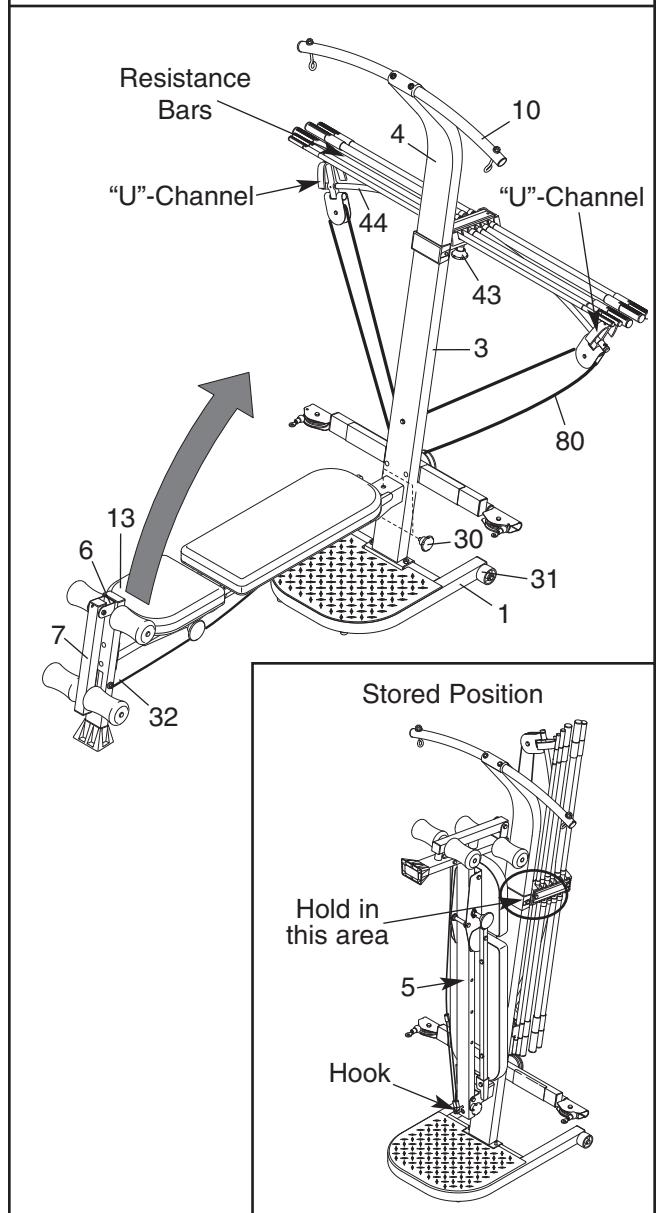
For row exercises, remove the Backrest (14). Hold the Backrest vertically over the Seat (13) and lift the rod out of the slot in the Seat Carriage (12) (see the inset drawing).



STORING THE RESISTANCE SYSTEM

To store the resistance system, slide the ends of the Leg Lever Cable (32) onto the hook on the bottom of the Bench Rail (5). Make sure the Seat (13) is in the position closest to the Front Leg (6) (see ADJUSTING THE SEAT on page 13). Next, remove the Storage Knob (30) from the Upright (3). Lift the Front Leg toward the Top Frame (10), and tighten the Storage Knob into the side of the Upright and the Bench Rail. Remove all of the resistance bars from the “U”-channels on the 10-Pound Center Resistance Bar (44) (see ADJUSTING THE RESISTANCE on page 14). Finally, loosen the Fulcrum Knob (43) and pull it out as far as it will go. Turn the resistance bar assembly vertically and engage the Fulcrum Knob into the fulcrum on the Lat Tower (4). **Note: Storing the resistance bar vertically will prolong the life of the resistance bars.**

To move the resistance system, place the toe of your shoe on the end of the Base (1) and hold the resistance system in the indicated area. Tilt the resistance system back onto the Wheels (31) and roll it to the new location. **Be careful not to let the Front Leg (6) or Leg Lever (7) pinch your hands when you tilt the system back.**



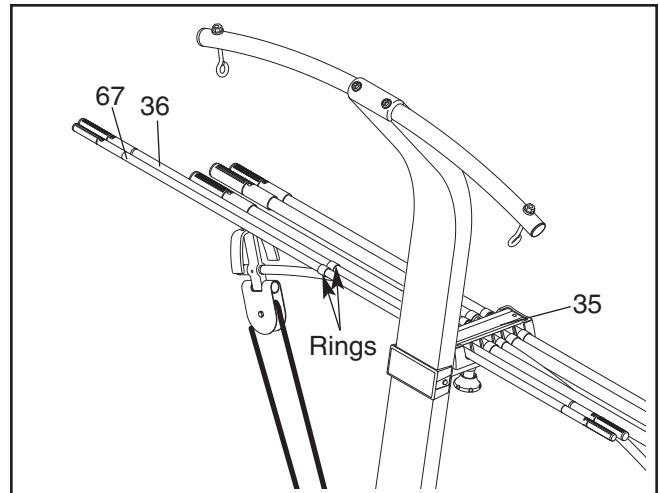
WARNING: Make sure that all of the resistance bars are removed from the “U”-channels before moving the resistance bar assembly to the stored position.

Make sure that the resistance bar assembly is in the horizontal position and that the Storage Knob (30) is in place and fully tightened each time the resistance system is used.

USING THE REMOVABLE RESISTANCE BARS

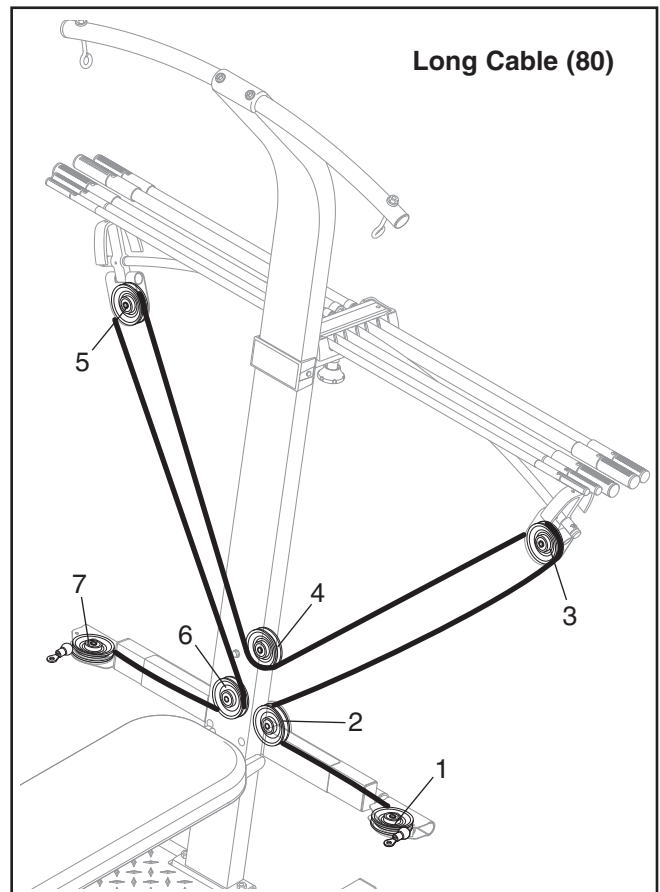
The Removable Resistance Bars (36, 67) can be used to exercise apart from the resistance system, as shown in the video, or on the exercise guide. To remove a Resistance Bar, pull it out of the Tray (35).

To replace the Removable Resistance Bars (36, 67), slide them into the Tray (35) from the side shown, so that the arrows on the rings point toward the Tray. **Make sure the rings are pushed against the Tray.**



CABLE DIAGRAM

The cable diagram shows the proper routing of the Long Cable (80). Use the diagram to make sure that the cable has been assembled correctly. If the cable has not been correctly routed, the resistance system will not function properly and damage may occur. The numbers show the correct route for the cable.



EXERCISE GUIDELINES

THE FOUR BASIC TYPES OF WORKOUTS

Muscle Building

To increase the size and strength of your muscles, push them close to their maximum capacity. Your muscles will continually adapt and grow as you progressively increase the intensity of your exercise. You can adjust the intensity level of an individual exercise in two ways:

- by changing the amount of resistance used
- by changing the number of repetitions or sets performed. (A “repetition” is one complete cycle of an exercise, such as one sit-up. A “set” is a series of repetitions.)

The proper amount of resistance for each exercise depends upon the individual user. You must gauge your limits and select the amount of resistance that is right for you. Begin with 3 sets of 8 repetitions for each exercise you perform. Rest for 3 minutes after each set. When you can complete 3 sets of 12 repetitions without difficulty, increase the amount of resistance.

Toning

You can tone your muscles by pushing them to a moderate percentage of their capacity. Select a moderate amount of resistance and increase the number of repetitions in each set. Complete as many sets of 15 to 20 repetitions as possible without discomfort. Rest for 1 minute after each set. Work your muscles by completing more sets rather than by using high amounts of resistance.

Weight Loss

To lose weight, use a low amount of resistance and increase the number of repetitions in each set. Exercise for 20 to 30 minutes, resting for a maximum of 30 seconds between sets.

Cross Training

Cross training is an efficient way to get a complete and well-balanced fitness program. An example of a balanced program is:

- Plan strength training workouts on Monday, Wednesday, and Friday.
- Plan 20 to 30 minutes of aerobic exercise, such as running on a treadmill or riding on an elliptical or exercise bike, on Tuesday and Thursday.
- Rest from both strength training and aerobic exercise for at least one full day each week to give your body time to regenerate.

The combination of strength training and aerobic exercise will reshape and strengthen your body, plus develop your heart and lungs.

PERSONALIZING YOUR EXERCISE PROGRAM

Determining the exact length of time for each workout, as well as the number of repetitions or sets completed, is an individual matter. It is important to avoid overdoing it during the first few months of your exercise program. You should progress at your own pace and be sensitive to your body’s signals. If you experience pain or dizziness at any time while exercising, stop immediately and begin cooling down. Find out what is wrong before continuing. Remember that adequate rest and a proper diet are important factors in any exercise program.

WARMING UP

Begin each workout with 5 to 10 minutes of stretching and light exercise to warm up. Warming up prepares your body for more strenuous exercise by increasing circulation, raising your body temperature and delivering more oxygen to your muscles.

WORKING OUT

Each workout should include 6 to 10 different exercises. Select exercises for every major muscle group, emphasizing areas that you want to develop most. To give balance and variety to your workouts, vary the exercises from session to session.

Schedule your workouts for the time of day when your energy level is the highest. Each workout should be followed by at least one day of rest. Once you find the schedule that is right for you, stick with it.

EXERCISE FORM

Maintaining proper form is an essential part of an effective exercise program. This requires moving through the full range of motion for each exercise, and moving only the appropriate parts of the body. Exercising in an uncontrolled manner will leave you feeling exhausted. On the exercise guide accompanying this manual you will find photographs showing the correct form for several exercises, and a list of the muscles affected. Refer to the muscle chart on page 18 to find the names of the muscles.

The repetitions in each set should be performed smoothly and without pausing. The exertion stage of each repetition should last about half as long as the return stage. Proper breathing is important. Exhale during the exertion stage of each repetition and inhale during the return stroke. Never hold your breath.

Rest for a short period of time after each set. The ideal resting periods are:

- Rest for three minutes after each set for a muscle building workout.
- Rest for one minute after each set for a toning workout.
- Rest for 30 seconds after each set for a weight loss workout.

Plan to spend the first couple of weeks familiarizing yourself with the equipment and learning the proper form for each exercise.

COOLING DOWN

End each workout with 5 to 10 minutes of stretching. Include stretches for both your arms and legs. Move

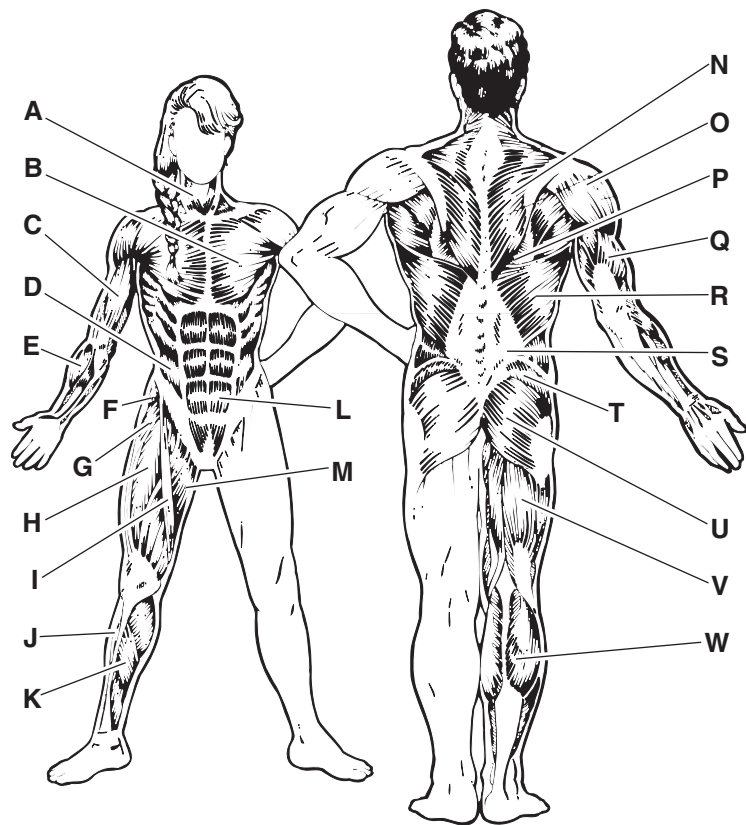
slowly as you stretch and do not bounce. Ease into each stretch gradually and go only as far as you can without strain. Stretching at the end of each workout is an effective way to increase flexibility.

STAYING MOTIVATED

For motivation, keep a record of each workout. The chart on page 19 of this manual can be photocopied and used to schedule and record your workouts. List the date, the exercises performed, the resistance used, and the numbers of sets and repetitions completed. Record your weight and key body measurements at the end of every month. Remember, the key to achieving the greatest results is to make exercise a regular and enjoyable part of your everyday life.

MUSCLE CHART

- A. Sternomastoid (neck)
- B. Pectoralis Major (chest)
- C. Biceps (front of arm)
- D. Obliques (waist)
- E. Brachioradials (forearm)
- F. Hip Flexors (upper thigh)
- G. Abductor (outer thigh)
- H. Quadriceps (front of thigh)
- I. Sartorius (front of thigh)
- J. Tibialis Anterior (front of calf)
- K. Soleus (front of calf)
- L. Rectus Abdominus (stomach)
- M. Adductor (inner thigh)
- N. Trapezius (upper back)
- O. Rhomboideus (upper back)
- P. Deltoid (shoulder)
- Q. Triceps (back of arm)
- R. Latissimus Dorsi (mid back)
- S. Spinae Erectors (lower back)
- T. Gluteus Medius (hip)
- U. Gluteus Maximus (buttocks)
- V. Hamstring (back of leg)
- W. Gastrocnemius (back of calf)



MONDAY	EXERCISE	RESISTANCE	SETS	REPS
Date: _____ / _____ / _____				

TUESDAY AEROBIC EXERCISE

Date: _____ / _____ / _____

WEDNESDAY	EXERCISE	RESISTANCE	SETS	REPS
Date: _____ / _____ / _____				

THURSDAY AEROBIC EXERCISE

Date: _____ / _____ / _____

FRIDAY	EXERCISE	RESISTANCE	SETS	REPS
Date: _____ / _____ / _____				

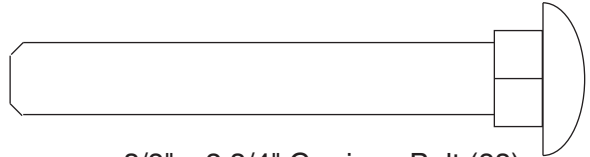
Make photocopies of this page for scheduling and recording your workouts.

PART IDENTIFICATION CHART

Refer to the drawings below to identify small parts used in assembly. The number in parentheses below each drawing is the key number of the part, from the PART LIST on the reverse side of this page. Find the quantity of each part on the PART LIST. **Note: Some small parts may have been pre-attached. If a part is not in the parts bag, check to see if it has been pre-attached. If a part is missing, call toll-free 1-877-992-5999.**



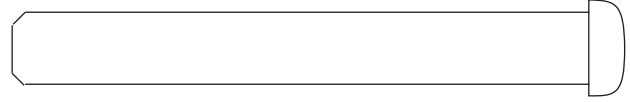
3/8" x 2 3/4" Button Head Bolt (64)



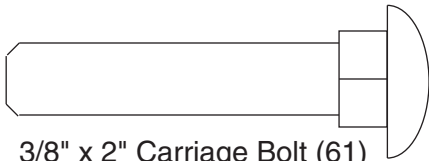
3/8" x 2 3/4" Carriage Bolt (83)



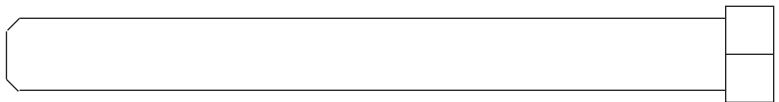
3/8" x 2 1/4" Button Head Bolt (63)



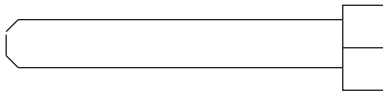
3/8" x 3" Button Head Bolt (70)



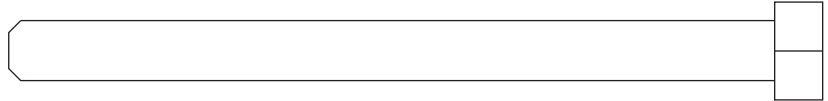
3/8" x 2" Carriage Bolt (61)



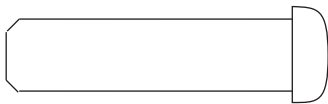
3/8" x 3 3/4" Bolt (90)



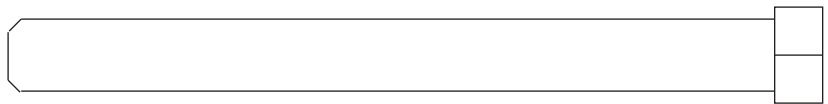
1/4" x 1 3/4" Bolt (58)



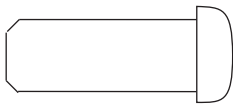
5/16" x 4" Bolt (60)



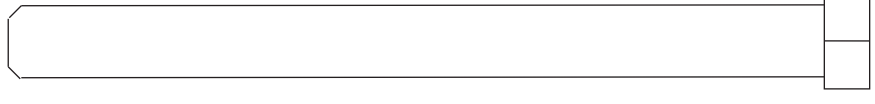
3/8" x 1 1/2" Button Head Bolt (71)



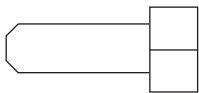
3/8" x 4" Bolt (66)



3/8" x 1" Button Head Bolt (87)



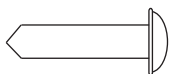
3/8" x 4 1/4" Bolt (81)



1/4" x 3/4" Bolt (82)



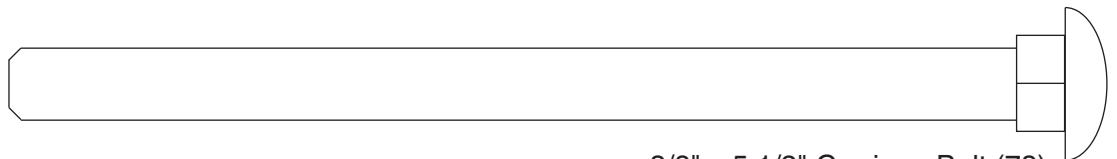
3/8" x 4 1/2" Button Head Bolt (40)



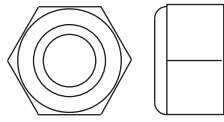
#8 x 3/4" Tek Screw (62)



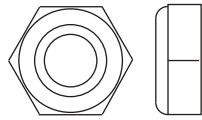
5/16" x 4.69" All-thread Bolt (47)



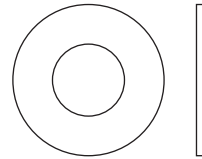
3/8" x 5 1/2" Carriage Bolt (73)



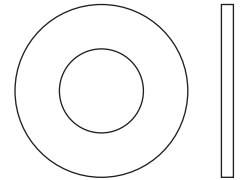
3/8" Nylon Locknut (76)



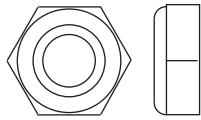
3/8" Nylon Jamnut (103)



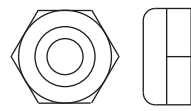
5/16" Washer (59)



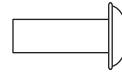
3/8" Washer (75)



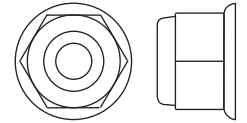
3/8" Jamnut (57)



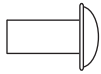
5/16" Nylon Jamnut (65)



#8-32 x 1/2"
Machine Screw (92)



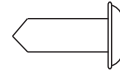
5/16" Hex Serrated
Flange Nut (19)



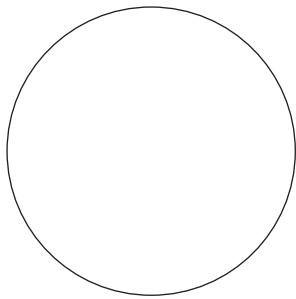
#8 x 3/8" Screw (24)



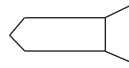
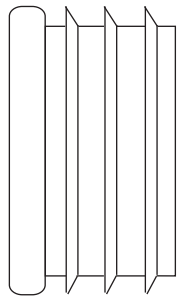
#8-32 Nylon Locknut (69)



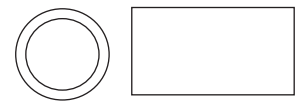
#8 x 1/2" Tek Screw (56)



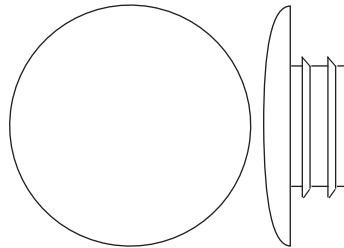
1 1/2" Round Inner Cap (38)



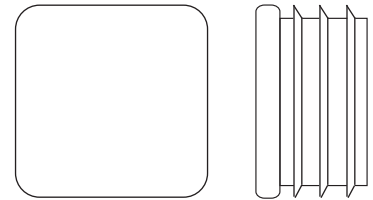
#8 x 1/2" Flat Head Screw (85)



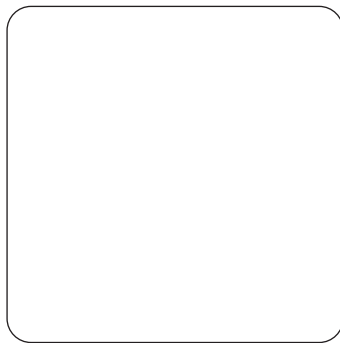
3/8" x 1" Spacer (52)



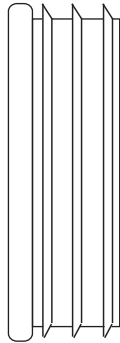
1 1/4" Round Inner Cap (78)



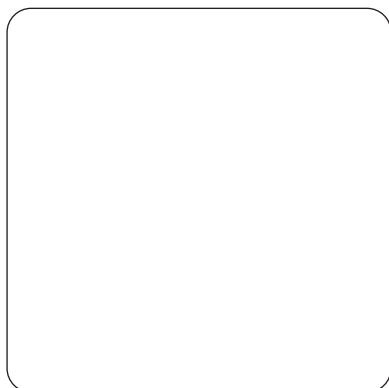
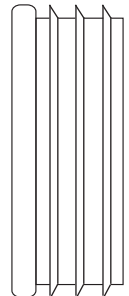
1" Square Inner Cap (54)



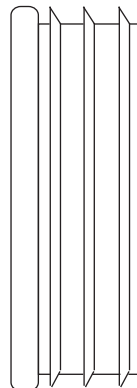
1 3/4" Square Inner Cap (42)



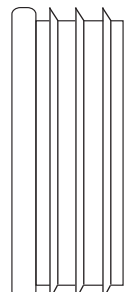
1 1/2" x 2 1/2" Inner Cap (41)



2" Square Inner Cap (98)



1 1/2" x 3" Inner Cap (99)



PART LIST—Model No. 831.15395.0

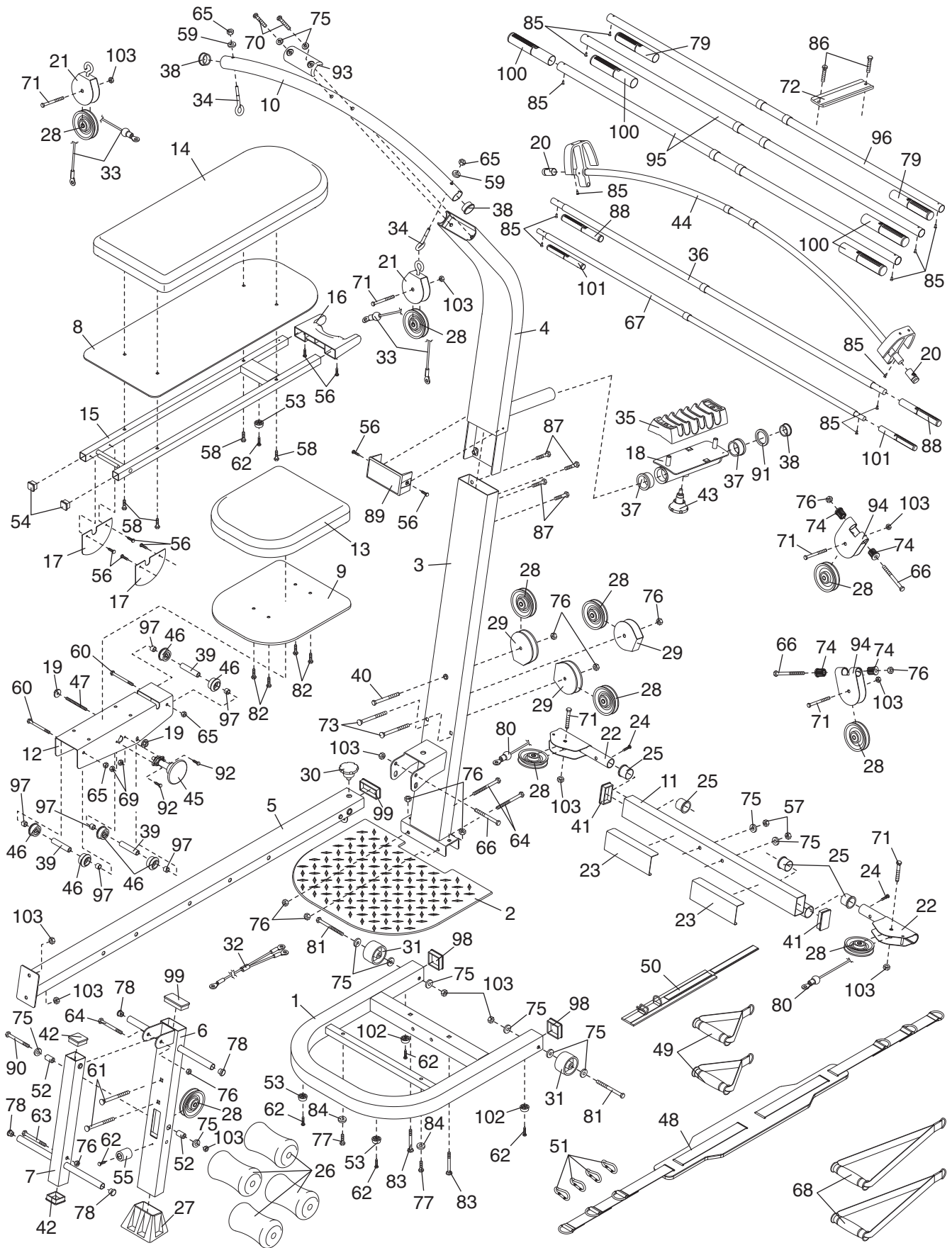
R1005A

Key No.	Qty.	Description	Key No.	Qty.	Description
1	1	Base	55	1	Leg Lever Bumper
2	1	Base Plate	56	8	#8 x 1/2" Tek Screw
3	1	Upright	57	2	3/8" Jamnut
4	1	Lat Tower	58	4	1/4" x 1 3/4" Bolt
5	1	Bench Rail	59	2	5/16" Washer
6	1	Front Leg	60	2	5/16" x 4" Bolt
7	1	Leg Lever	61	2	3/8" x 2" Carriage Bolt
8	1	Backrest Backing	62	6	#8 x 3/4" Tek Screw
9	1	Seat Backing	63	1	3/8" x 2 1/4" Button Head Bolt
10	1	Top Frame	64	3	3/8" x 2 3/4" Button Head Bolt
11	1	Cross Tube	65	4	5/16" Nylon Jamnut
12	1	Seat Carriage	66	3	3/8" x 4" Bolt
13	1	Seat	67	1	10-Pound Removable Resistance Bar
14	1	Backrest			
15	1	Backrest Frame	68	2	Long Handle
16	1	Backrest Cap	69	2	#8-32 Nylon Locknut
17	2	Guard Plate	70	2	3/8" x 3" Button Head Bolt
18	1	Fulcrum	71	6	3/8" x 1 1/2" Button Head Bolt
19	2	5/16" Hex Serrated Flange Nut	72	1	Cover Plate
20	2	10-Pound Short Cap	73	2	3/8" x 5 1/2" Carriage Bolt
21	2	High Pulley Housing	74	4	Pivot Bushing
22	2	Swivel Arm	75	12	3/8" Washer
23	2	Grip Tape	76	11	3/8" Nylon Locknut
24	2	#8 x 3/8" Screw	77	2	#8 x 1 1/2" Bolt
25	4	Arm Bushing	78	4	1 1/4" Round Inner Cap
26	4	Foam Pad	79	2	40-Pound Cap
27	1	Front Leg Foot	80	1	Long Cable
28	10	90mm Pulley	81	2	3/8" x 4 1/4" Bolt
29	3	Pulley Guard	82	4	1/4" x 3/4" Bolt
30	1	Storage Knob	83	2	3/8" x 2 3/4" Carriage Bolt
31	2	Wheel	84	2	1/4" Washer
32	1	Leg Lever Cable	85	12	#8 x 1/2" Flat Head Screw
33	2	Short Cable	86	2	5/16" x 3/4" Button Head Screw
34	2	Eyebolt	87	4	3/8" x 1" Button Head Bolt
35	1	Tray	88	2	20-Pound Cap
36	1	20-Pound Removable Resistance Bar	89	1	Name Plate
			90	1	3/8" x 3 3/4" Bolt
37	2	Fulcrum Bushing	91	1	Retainer Ring
38	3	1 1/2" Round Inner Cap	92	2	#8-32 x 1/2" Machine Screw
39	3	2.3" Metal Spacer	93	1	Top Frame Cover
40	1	3/8" x 4 1/2" Button Head Bolt	94	2	Pulley Housing
41	2	1 1/2" x 2 1/2" Inner Cap	95	2	80-Pound Resistance Bar
42	2	1 3/4" Square Inner Cap	96	1	40-Pound Resistance Bar
43	1	Fulcrum Knob	97	6	.34" Metal Spacer
44	1	10-Pound Center Resistance Bar	98	2	2" Square Inner Cap
45	1	Seat Knob	99	2	1 1/2" x 3" Inner Cap
46	6	Bearing Wheel	100	4	80-Pound Cap
47	1	5/16" x 4.69" All-thread Bolt	101	2	10-Pound Cap
48	1	Leg Press Strap	102	2	Large Plastic Foot
49	2	Short Handle	103	12	3/8" Nylon Jamnut
50	1	Ankle Strap	#	1	User's Manual
51	4	Cable Clip	#	1	Exercise Guide
52	2	3/8" x 1" Spacer	#	1	Exercise Decal
53	3	Plastic Foot	#	2	Allen Wrench
54	2	1" Square Inner Cap	#	1	Allen Wrench

Note: “#” indicates a non-illustrated part. Specifications are subject to change without notice. If a part is missing, call toll-free 1-877-992-5999. See the back cover of the user's manual to order replacement parts.

EXPLODED DRAWING—Model No. 15395.0

R1005A



Get it fixed, at your home or ours!

Your Home

For repair – **in your home** – of **all** major brand appliances, lawn and garden equipment, or heating and cooling systems, **no matter who made it, no matter who sold it!**

For the replacement parts, accessories, and user's manuals that you need to do-it-yourself.

For Sears professional installation of home appliances and items like garage door openers and water heaters.

1-800-4-MY-HOME®

(1-800-469-4663)

www.sears.com

Anytime, day or night

(U.S.A. and Canada)

www.sears.ca

Our Home

For repair of carry-in products like vacuums, lawn equipment, and electronics, call or go on-line for the location of your nearest **Sears Parts and Repair Center.**

1-800-488-1222 Anytime, day or night (U.S.A. only)

www.sears.com

To purchase a protection agreement (U.S.A.) or maintenance agreement (Canada) on a product serviced by Sears:

1-800-827-6655 (U.S.A.)

1-800-361-6665 (Canada)

Para pedir servicio de reparación a domicilio, y para ordenar piezas:

1-888-SU-HOGARSM (1-888-784-6427)

SEARS

® Registered Trademark / ™ Trademark / ™ Service Mark of Sears, Roebuck and Co.
© Marca Registrada / ™ Marca de Fábrica / ™ Marca de Servicio de Sears, Roebuck and Co.

WARRANTY

For one year from the date of purchase, if failure occurs due to defect in material or workmanship in this RESISTANCE SYSTEM EXERCISER, contact the nearest Sears Service Center throughout the United States and Sears will repair or replace the RESISTANCE SYSTEM EXERCISER, free of charge. Parts will be replaced for five years.

This warranty does not apply when the RESISTANCE SYSTEM EXERCISER is used commercially or for rental purposes.

This warranty gives you specific legal rights, and you may also have other rights which vary from state to state.

Sears, Roebuck and Co., Dept 817WA, Hoffman Estates, IL 60179